

HRN-UP21Y2 Installation on Mercedes Sprinter

Rev A1- 05/2022

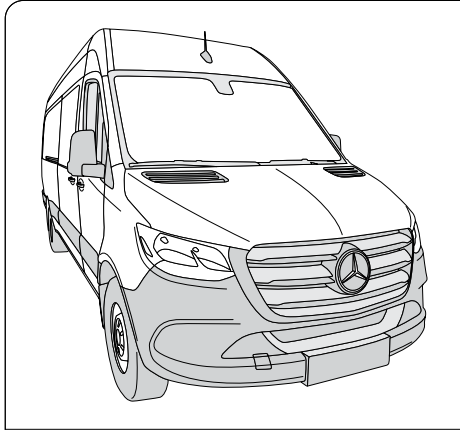
For the most up-to-date version, please visit: gtb.page.link/u1kz

This document provides step-by-step instructions to install the GO device on the Mercedes sprinter using the HRN-UP21Y2 harness.

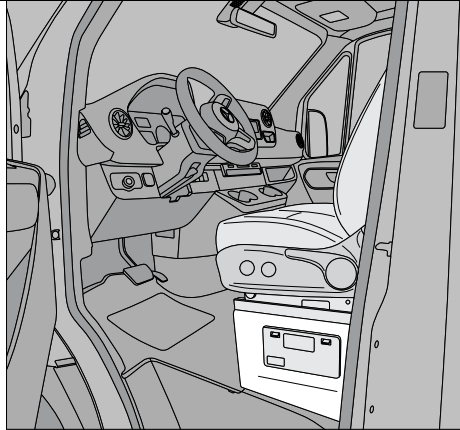
Professional Installation Required – Installation of the HRN-UP21Y2 requires the installer to have sufficient technical knowledge and expertise for device installation and integration into modern vehicles, i.e. Certified Geotab® Installer certification or equivalent.

⚠️ WARNING! Read important related Safety Information and [Limitations of Use](#) following these installation instructions. The GO device must be disconnected from the vehicle prior to harness/IOX installation. Post harness/IOX installation, connect the GO device, read and follow all [instructions](#) and warnings to prevent serious injury and/or vehicle damage.

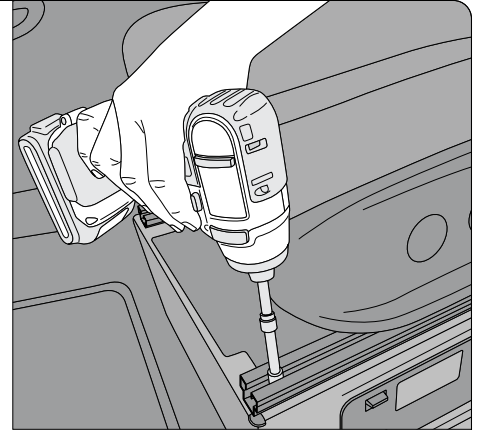
Note: This installation also requires the HRN-CM24Y1 harness.



2020 Mercedes Sprinter 2500

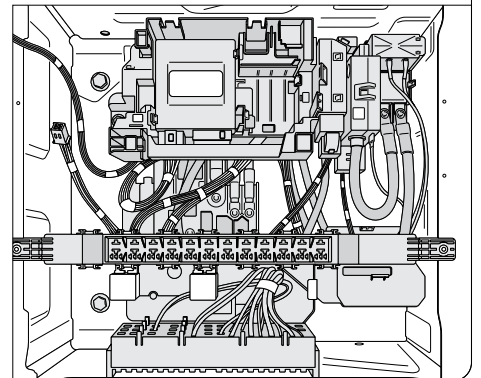
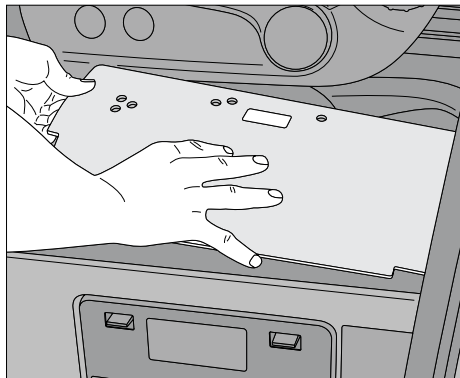
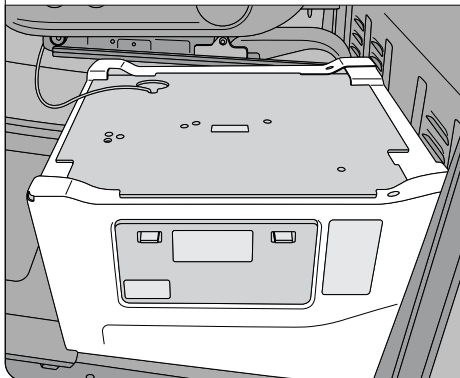


Driver's Seat

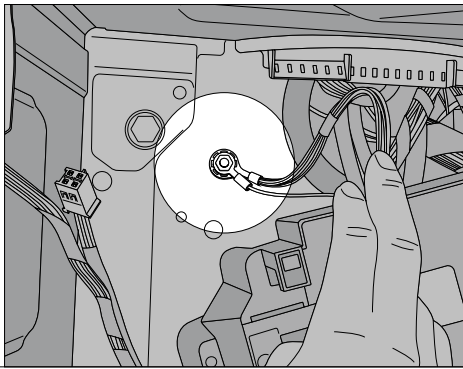
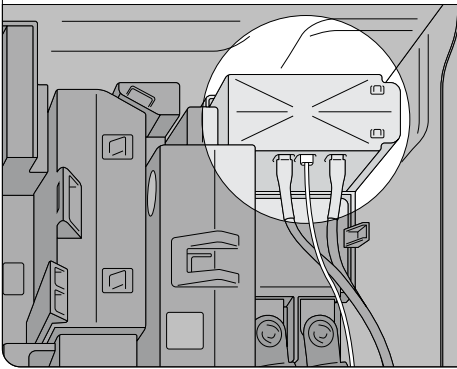
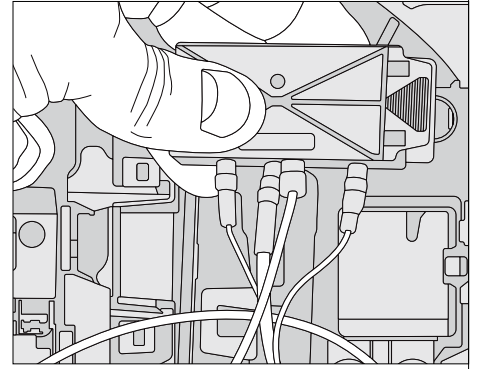
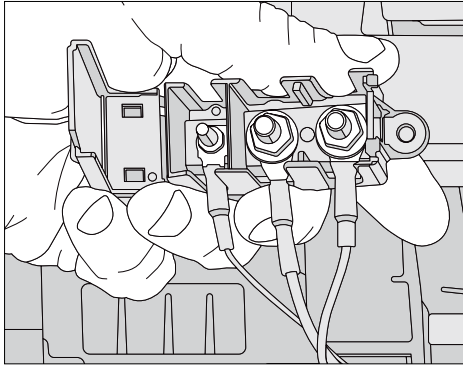
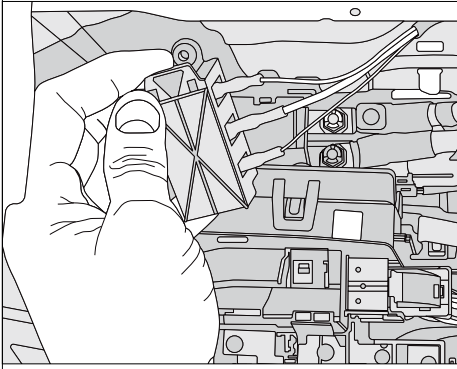


Screwdriver to unscrew the seat

Step 1 Remove the driver's seat to access installation & connection points:

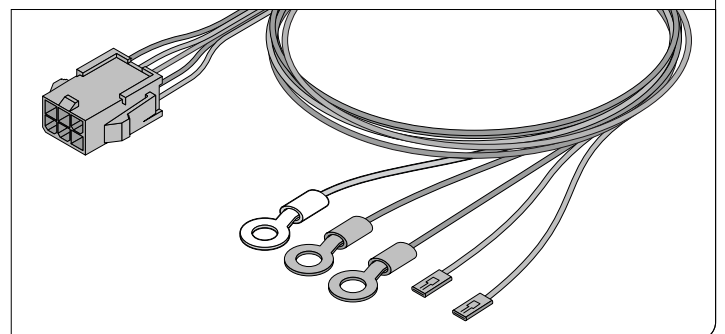
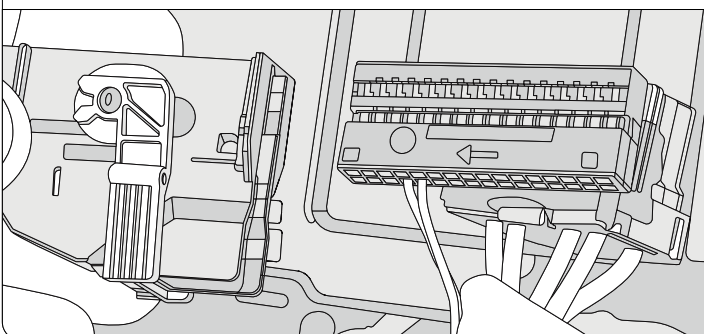
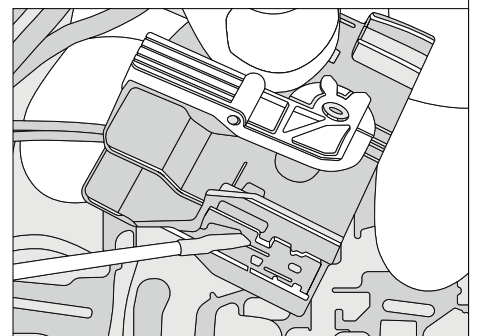
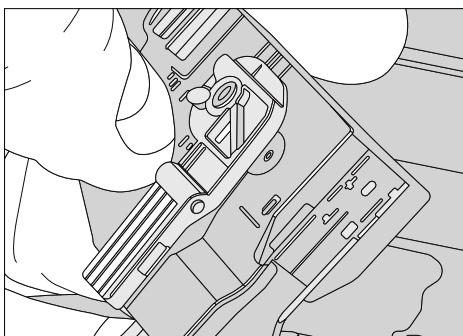
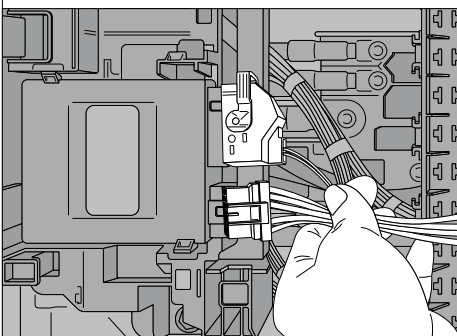


Step 2 Locate the connection points for the HRN-UP21Y2 harness, shown with power connector (center terminal). Then connect Ground to the existing Ground terminal.



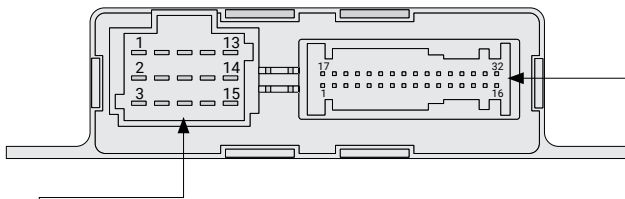
Step 3 Pictured from left to right:

1. Connection points for CAN High-Low from HRN-UP21Y2 to the FSM module connector.
2. OEM FSM module.
3. Opening the connector, which will allow you to push in the leads from the back side of the connector.
4. Push the pins into the following position:
 - White CAN-H into pin 16
 - Green CAN-L into pin 32
5. Cap off yellow Ignition wire.



Step 3 Continued

Sprinter MY19: Pin Assignment



Plug 1

| Pin | Circuit | Rating (A) | Type |
|-----|---------------|------------|-----------|
| 1 | Vehicle Power | - | - |
| 2 | Output 2 | 10 | Hide Side |
| 3 | Output 5 | 5 | Hide Side |
| 4 | Vehicle Power | - | - |
| 5 | Output 1 | 5 | Hide Side |
| 6 | Output 18 | 5 | Hide Side |
| 7 | Output 4 | 10 | Hide Side |
| 8 | - | - | - |
| 9 | GND* | 7.5 | - |
| 10 | Vehicle Power | - | - |
| 11 | Output 3 | 5 | Hide Side |
| 12 | Output 19 | 5 | Hide Side |
| 13 | Vehicle Power | - | - |
| 14 | Output 20 | 5 | Hide Side |
| 15 | Vehicle GND | - | - |

* Can be utilized as a GND source

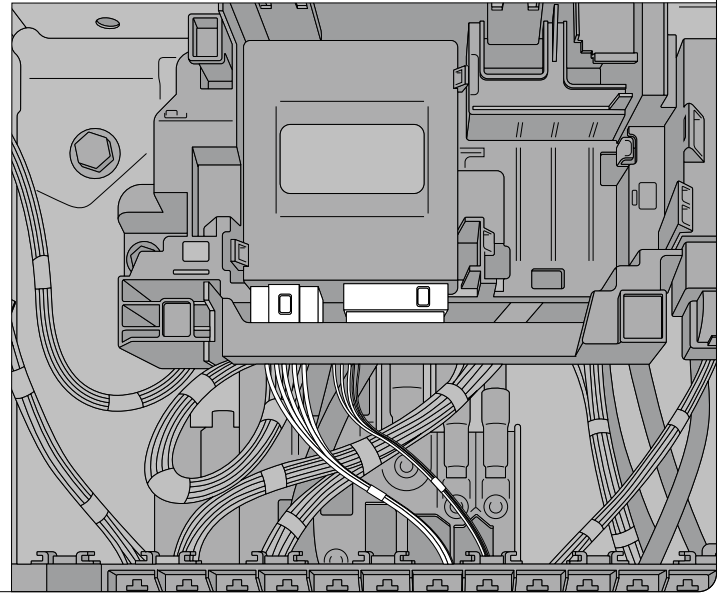
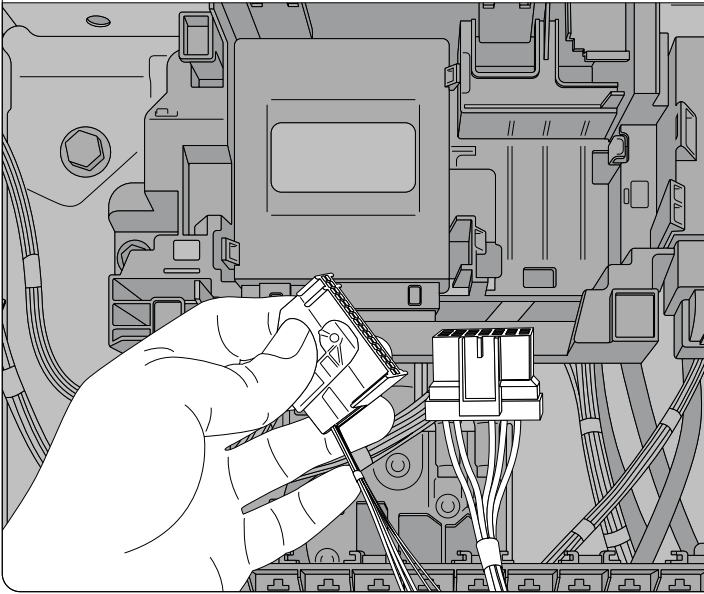
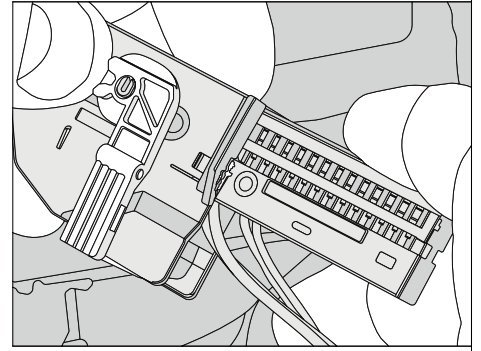
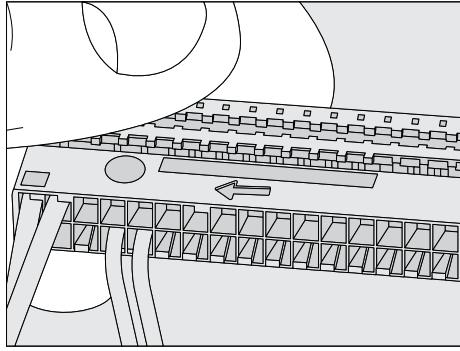
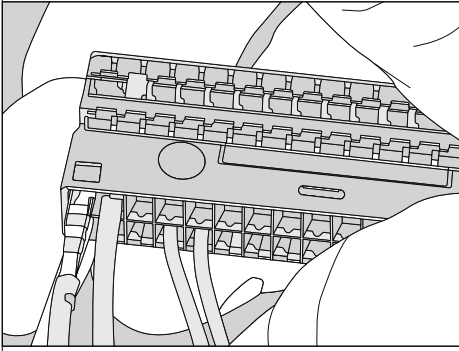
Plug 2

** Not programmable

| Pin | Circuit | Rating (A) | Type |
|-----|-----------------------|------------|-------------------|
| 1 | Output 11 | 0.5 | Low Side |
| 2 | Output 14 | 0.5 | Low Side |
| 3 | Output 15 (PWM fix)** | 0.5 | Low Side |
| 4 | Output 8 | 0.5 | Hide Side |
| 5 | Output 9 | 0.5 | Hide Side |
| 6 | Output 10 | 0.5 | Hide Side |
| 7 | Input 5 | - | Low Side |
| 8 | Input 6 | - | Low Side / Analog |
| 9 | Input 1 | - | Low Side / Analog |
| 10 | Input 10 | - | Low Side / Analog |
| 11 | Input 7 | - | Low Side / Analog |
| 12 | - | - | - |
| 13 | GND* | 1 | - |
| 14 | CAN GND* | - | - |
| 15 | GND* | 1 | - |
| 16 | ABH CAN-H | - | - |
| 17 | Output 13 | 1 | Low Side |
| 18 | Output 17 | 1 | Low Side |
| 19 | Output 12 | 0.5 | Low Side |
| 20 | Output 7 | 1 | Hide Side |
| 21 | Output 6 | 1 | Hide Side |
| 22 | Output 16 | 0.5 | Hide Side |
| 23 | Input 4 | - | Hide Side |
| 24 | Input 8 | - | Low Side / Analog |
| 25 | Input 9 | - | Low Side / Analog |
| 26 | Input 2 | - | Hide Side |
| 27 | Input 3 | - | Hide Side |
| 28 | Body CAN-L | - | - |
| 29 | Body CAN-H | - | - |
| 30 | CiA CAN-L | - | - |
| 31 | CiA CAN-H | - | - |
| 32 | ABH CAN-L | - | - |

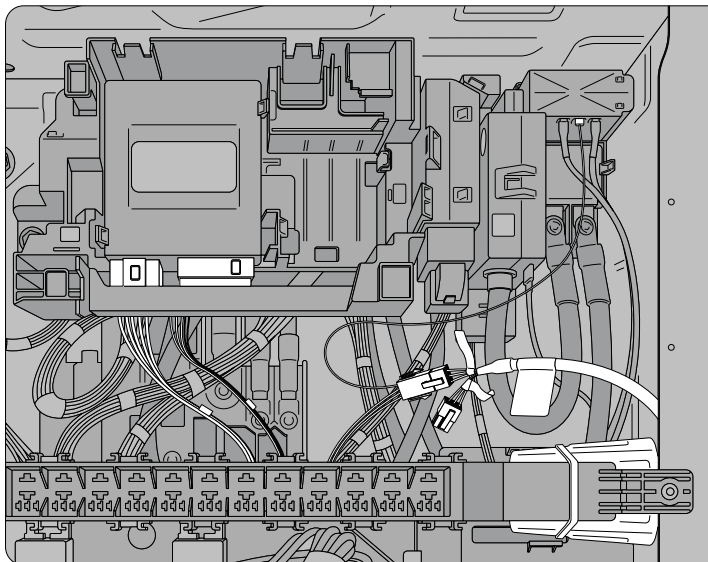
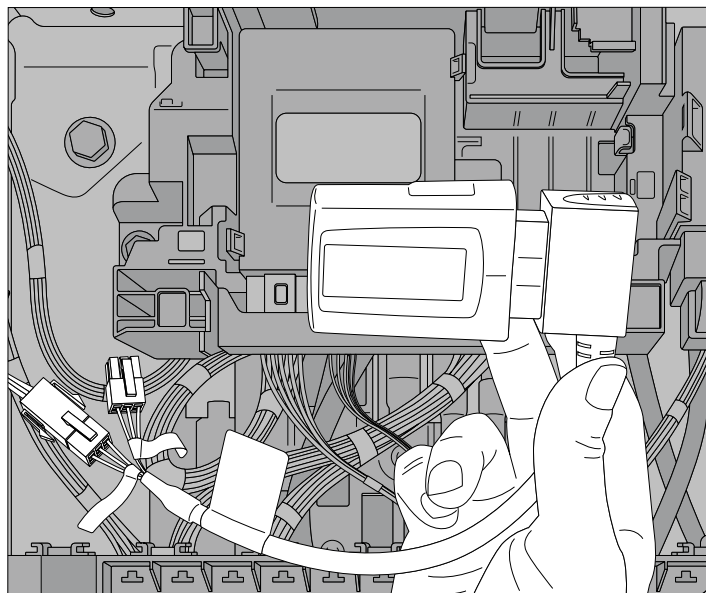
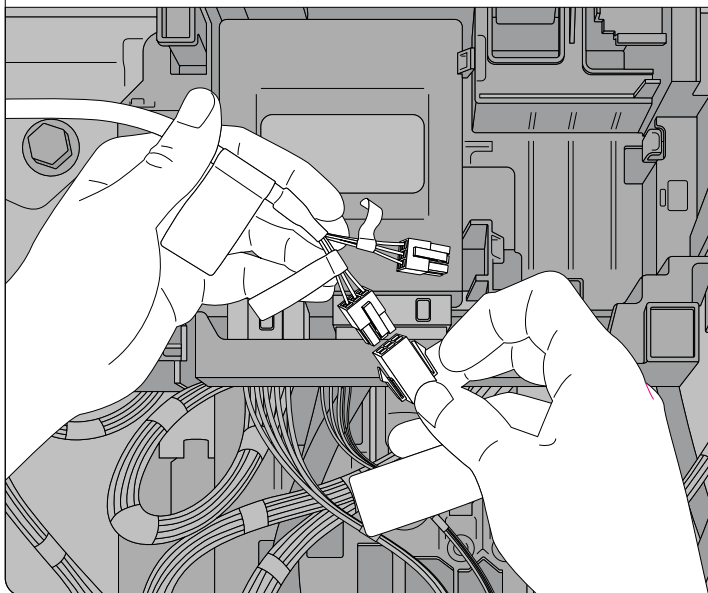
R&D Liaison | MBV, LLC | 7/14/2020

Additional pictures of the green and white cables connected to the proper pins are shown below. Place the wires together with the OEM wires, then reconnect to the FSM module.



Step 4 Once all HRN-UP21Y2 connections have been made, continue with the remainder of the harness assembly.

Step 5 Make all connections between the HRN-UP21Y2 to the OBD-II portion of the HRN-CM24Y1. Once the harness wiring is complete, you are ready to connect the GO9 device.



Step 6 Connect the GO device to the harness. Find a suitable mounting location, **ensuring the GPS antenna is facing upward.**

Step 7 Once the GO9 installation is complete, start the vehicle and wait for the GO device to initialize. This process can take up to five minutes and the device will beep throughout. Ensure that all three LEDs are active. If any of the LEDs are not active, please contact support for troubleshooting:

- The red LED indicates ignition
- The blue LED indicates GPS signal
- The green LED indicates a cellular network connection

If any of the LEDs are not active, please contact support for troubleshooting.